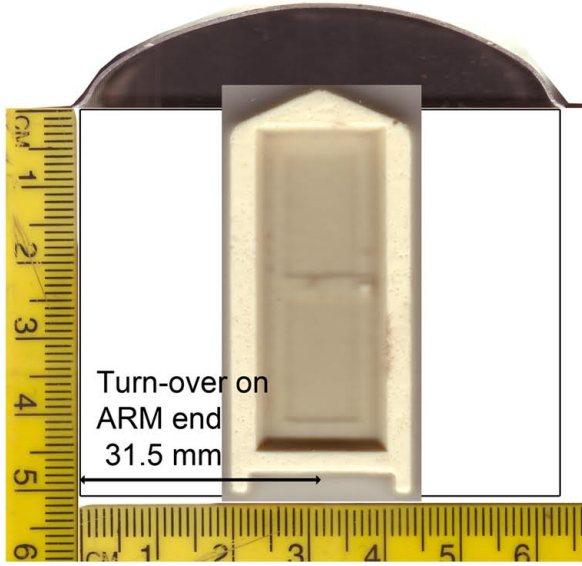
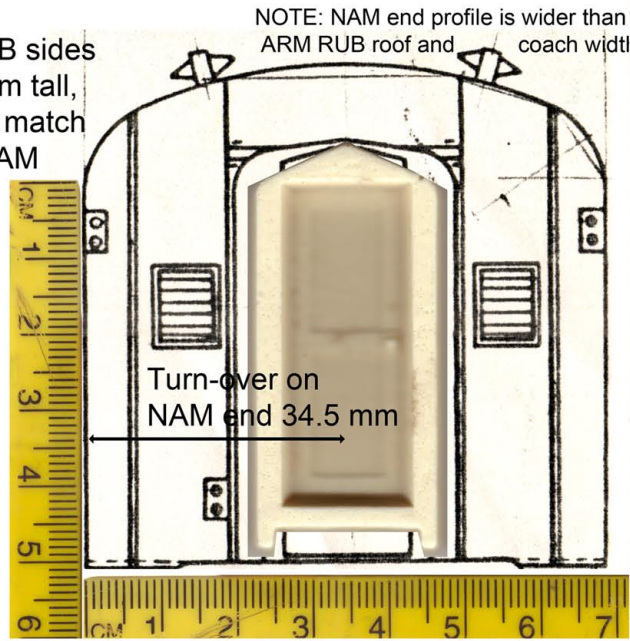


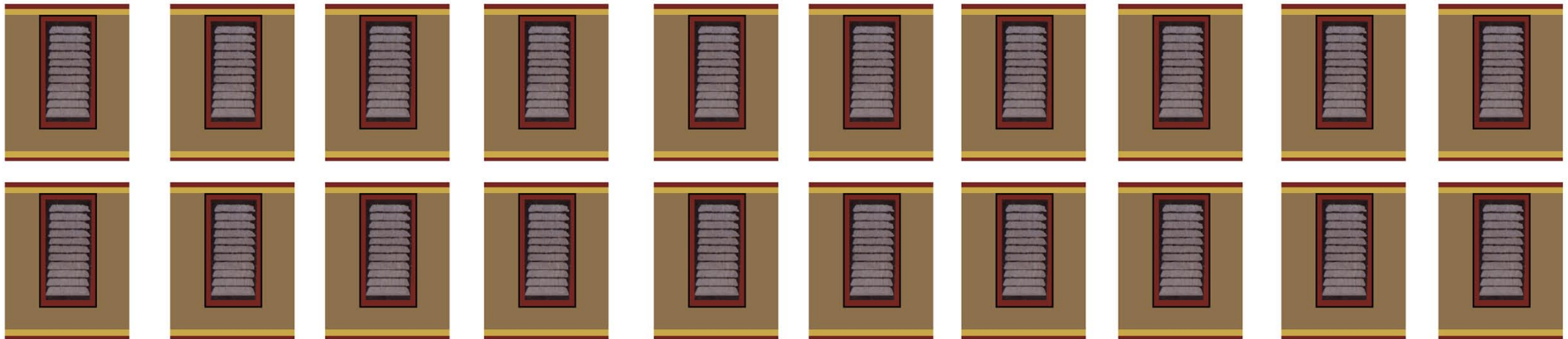
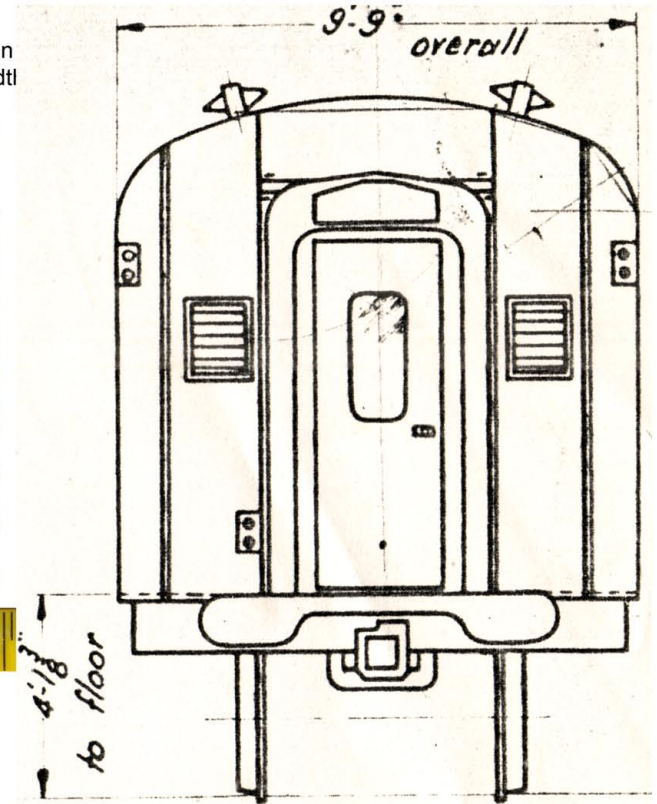
NOTE: ARM RUB roof and coach widths are narrower than NAM end profile



ARM RUB sides are 51 mm tall, a perfect match for the NAM profile at 7mm scale



NOTE: NAM end profile is wider than ARM RUB roof and coach width



NSWGR RUB set series - car end details and parts. Based on the 1950 Austral Railway Models. Graphics by Andrew Graham, 2019. Please donate to the McGrath Foundation. Not for commercial use. Sides are 51 mm high.